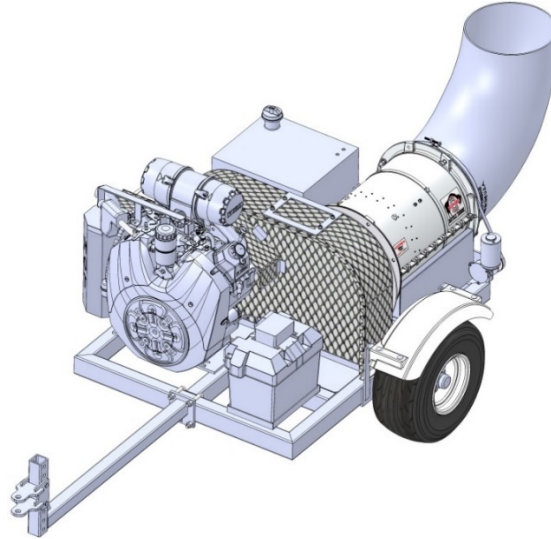




180 Zoar Valley Road • Springville, NY 14141 • Tel: (716) 592-2700 • Fax: (716) 592-2460 • BuffaloTurbine.com



MEGA DEBRIS BLOWER MODEL # BT-MEGA

Control	12V Wireless system w/ 360° Nozzle Control and Throttle Control
Transmitter	Hand held wireless transmitter with push button control (water resistant)
Battery	12V 525 CCA
Machine Warranty	10 Year Manufacturer Warranty
Kohler Engine Warranty	3 Year Warranty
Frame Length (Skid Mount)	48"
Overall Length with Nozzle(Skid Mount)	75"
Overall Length with Nozzle	112"
Frame Width (Skid Mount)	36.5"
Overall Width Including Wheels	56"
Height	30"
Fuel Capacity	12 gallons
Weight	630 lbs. (286kg)
Input Power	CH1000 Kohler Gasoline Engine
Input RPM	Adjustable Engine Throttle up to 3500 RPM
Output RPM	Approx. 4300 RPM
Nozzle	Aerospace Polymer Nozzle (optional aluminum nozzles are available)
Outlet Size	approx. 12"
Maintenance Meter	Hour Meter / Tachometer
Tires	18 x 8.50-8
Trailer	Bolt on trailer package with adjustable tongue
Shipping Weight	716 lbs. (325kg)
Shipping Box Size	48"(121.92cm) x 60"(152.40cm) x 45"(114.30cm)



WARNING: Cancer and Reproductive Harm – www.P65Warnings.ca.gov