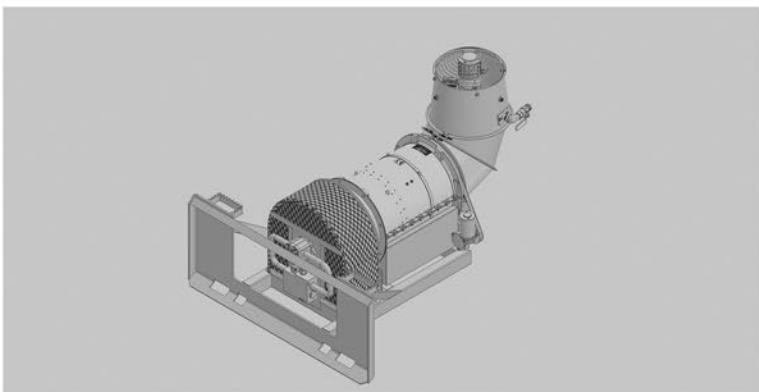




# DUST/ODOR CONTROL **HYDRAULIC**



## HYDRAULIC DUST/ODOR CONTROLLER

- HYDRAULIC MOTOR
- REQUIRES ONLY STANDARD WATER PRESSURE
- NO EXTRA ENGINE TO SERVICE



# BUFFALO TURBINE



**TALK WITH OUR EXPERTS**

8AM-4:30PM (Mon-Fri) EST

(716) 592-2700

BuffaloTurbine.com

## HYDRAULIC DUST/ODOR CONTROLLER

### TOP BENEFITS

- Powerful and versatile
- Easy to operate and maintain
- Requires only standard water pressure
- 10 year manufacturer warranty

### TOP FEATURES

- Standard garden hose hookup
- No extra engine to service

### GENERAL INFO

- Gyrotory atomizing nozzle system
- Hose input: 3/4" utility / garden hose
- Min/Max water volume: 1/3 gallon - 20 gallons per minute at 120 psi
- Min/Max water pressure: 40 psi - 120 psi
- Droplet size: 50 - 200 microns
- Throw distance (neutral wind conditions): Vertical-up to 50 ft / Horizontal-up to 125 ft

### MOTOR SPECS

- 2 year hydraulic motor warranty
- Input RPM: Up to 3600 rpm\*
- Hydraulic motor displacement size: .915 cu.in./Rev
- Required minimum hydraulic pressure (to operate @ stated values): 2900 psi
- Mounting (any position): SAE "A" size, 2 bolt
- Shaft seal max. pressure: 150 psi

### PHYSICAL SPECS

- Outlet size: 12"
- Nozzle rotation: 360°
- Frame length: 43"
- Overall length with nozzle: 68"
- Width: 46"
- Max height with nozzle in upright position: 33"
- Weight: 300 lbs.

## Applications

Demolition Sites • Landfills • Wood Recycling  
Scrap Metal Recycling • Aggregate Processing  
Waste Transfer

**WARNING:** Cancer & Reproductive Harm - www.P65Warnings.ca.gov

## OPTIONS



Aerospace Polymer Nozzle



300 Gallon Tank

